

Fast2Test

Pass Your Next Certification Exam Fast!

Everything you need to prepare, learn & pass your certification exam easily.

365 days free updates. First attempt guaranteed success.



Instant Download

After Payment, our system will send you the products you purchase in mailbox in a minute after payment. If not received within 2 hours, please contact us.

365 Days Free Updates

Free update is available within 365 days after your purchase. After 365 days, you will get 50% discounts for updating.



Money Back Guarantee

Full refund if you fail the corresponding exam in 60 days after purchasing. And Free get any another product.

Security & Privacy

We respect customer privacy. We use McAfee's security service to provide you with utmost security for your personal information & peace of mind.

We're not the only ones **happy** about Fast2test Practice Materials ...

62316+ customers in 100+ countries use Fast2test Self Test Engine. Meet our customers.

<https://de.fast2test.com>

Anbieter der Studienmaterialien zur IT-Zertifizierung! Sicher, einfach und schnell. 100%-Pass-Garantie!

Exam : **HPE6-A41**

Title : Applying Aruba Switching
Fundamentals for Mobility

Vendor : HP

Version : DEMO

NO.1 Why would a network administrator use strict provisioning to configure the standby member in a Virtual Switching Framework (VSF) fabric?

- A.** The network administrator does not know the MAC address of the standby member.
- B.** The network administrator wants to ensure the standby member is configured with the same settings as the commander.
- C.** The network administrator wants to control which device can join the VSF fabric.
- D.** The network administrator needs to configure the correct domain ID on the standby member before this member joins the VSF fabric.

Answer: C

NO.2 Which technology enables a network administrator to group users by logical function instead of physical location, reduce bandwidth waste by limiting broadcast traffic, and improve security by isolating users at Layer2?

- A.** SNMPv3
- B.** 802.1X
- C.** VLANs
- D.** Virtual Switching Framework (VSF)

Answer: D

NO.3 A company requires switches to use MSTP instead of RSTP, so that the switches can forward traffic on more than one switch-to-switch link. How does the administrator set up the solution to meet this requirement?

- A.** Map different VLANs to different instances, and make a different switch root bridge in each instance.
- B.** Set the same spanning tree cost on all redundant links on a switch.
- C.** Ensure that switches use the 802.3t standard costs instead of the legacy costs.
- D.** Configure every switch with a unique bridge propriety in the IST, which is also called spanning tree instance 0.

Answer: A

NO.4 Refer to the exhibit.
Exhibit 1.

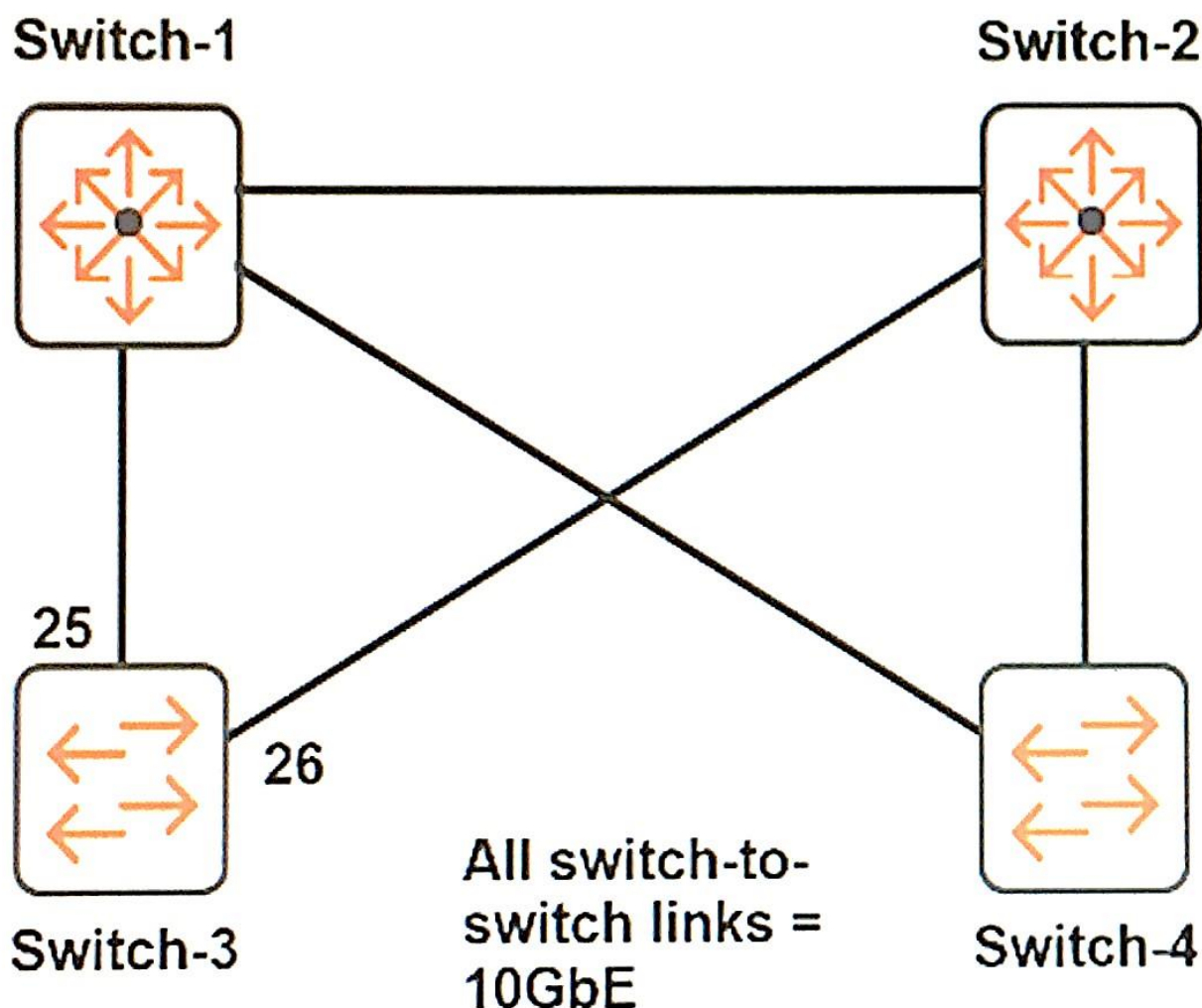


Exhibit 2.

```
Switch-3# show spanning-tree 25-26 instance 2
```

```
<-output omitted->
```

```
Designated
```

Port	Type	Cost	Priority	Role	State	Bridge
25	100/1000T	20000	128	Master	Forwarding	6c3be5-6208c0
26	100/1000T	20000	128	Alternate	Blocking	6c3be5-6208c0

Spanning tree runs on the switches shown in the exhibit. The network administrator enters these commands:

```
Switch-1(config)# spanning-tree priority 0
Switch-1(config)# spanning-tree instance 1 priority 0
Switch-1(config)# spanning-tree instance 2 priority 1
Switch-2(config)# spanning-tree priority 1
Switch-2(config)# spanning-tree instance 1 priority 1
Switch-2(config)# spanning-tree instance 2 priority 0
```

The administrator enters the show spanning-tree instance 2 command on Switch-3 and sees the output shown in Exhibit 2.

What could explain the output results?

- A. Switch-1 has a lower MAC address than Switch-2.
- B. Switch-1 has a higher MAC address than Switch-2.

- C. Switch-3 filters BPDUs on port 26.
- D. Switch-3 has incompatible MSTP region settings with other switches.

Answer: D

NO.5 A network administrator enters this command in an ArubaOS switch CLI:

```
Switch(config)# ip route 0.0.0.0/0
```

The CLI shows this error:

```
Incomplete input: 0.0.0.0/0
```

How can the administrator find a valid way to complete the command?

- A. Enter ip route 0.0.0.0/0 ? with a space before the ?.
- B. Enter ip route 0.0.0.0/0? With no space before the ?.
- C. Enter help ip route.
- D. Enter ip --help route.

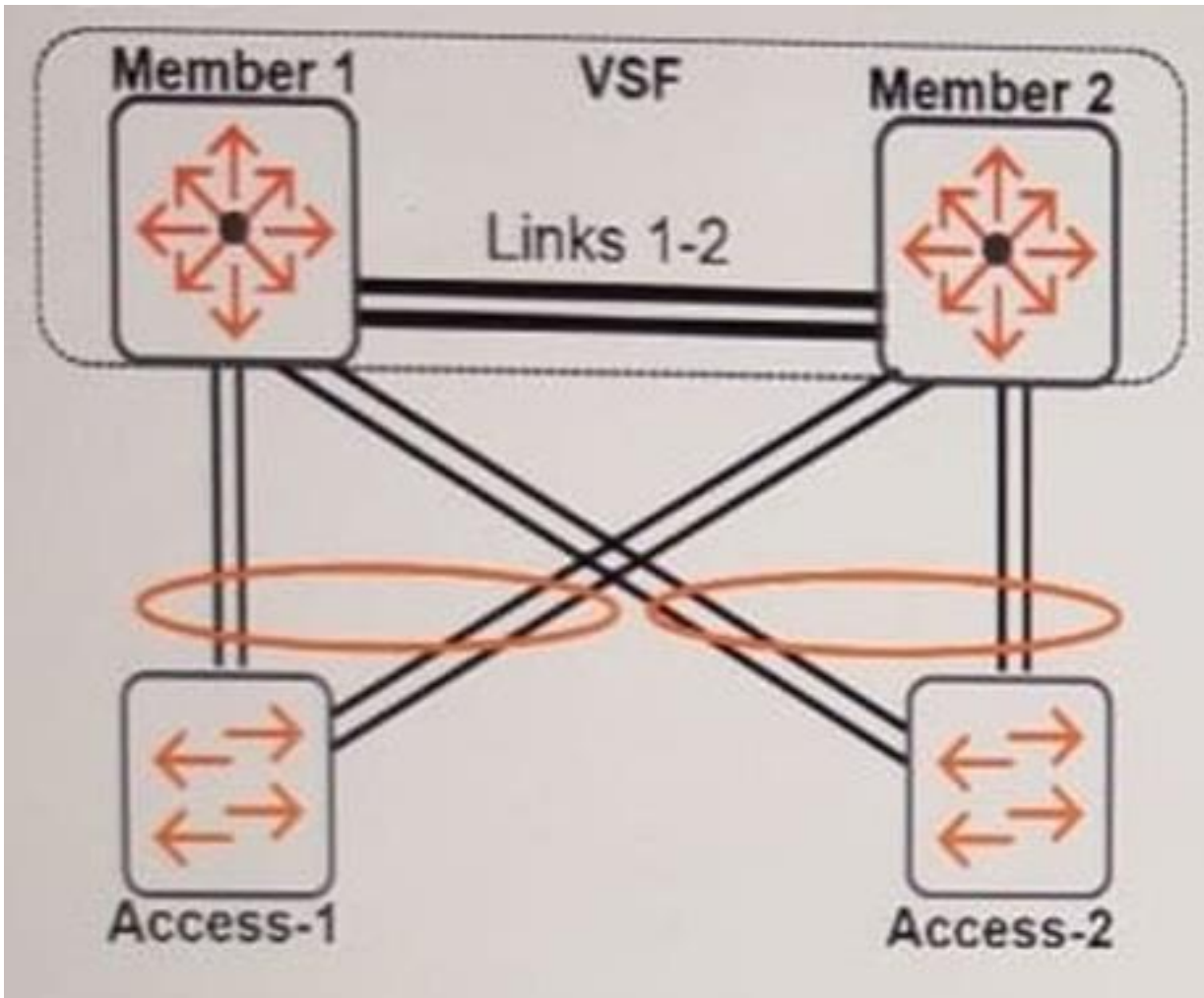
Answer: A

NO.6 For which task does a network administrator need to access the enable context on an ArubaOS switch?

- A. to view interface statistics
- B. to ping an IP address
- C. to view configuration files
- D. to view CPU statistics

Answer: C

NO.7 Refer to the exhibit.

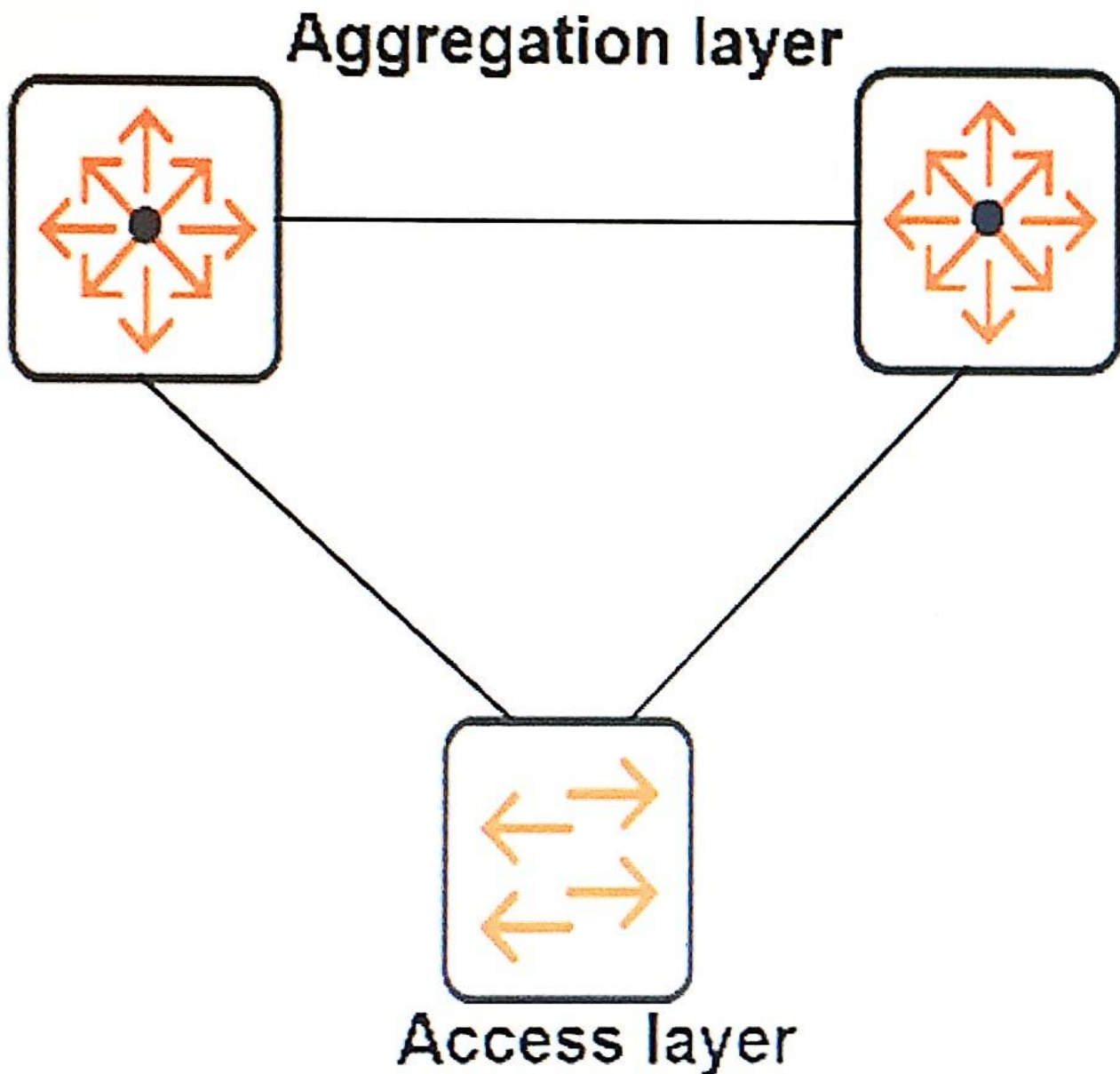


Which feature should the network administrator configure on the Virtual Switching Framework (VSF) fabric to prevent issues if Links 1 and 2 fail?

- A. Distributed trunking
- B. Virtual Router Redundancy Protocol (VRRP)
- C. Multi-Active Detection (MAD)
- D. Graceful OSPF (non-stop forwarding)

Answer: C

NO.8 Refer to the exhibit.



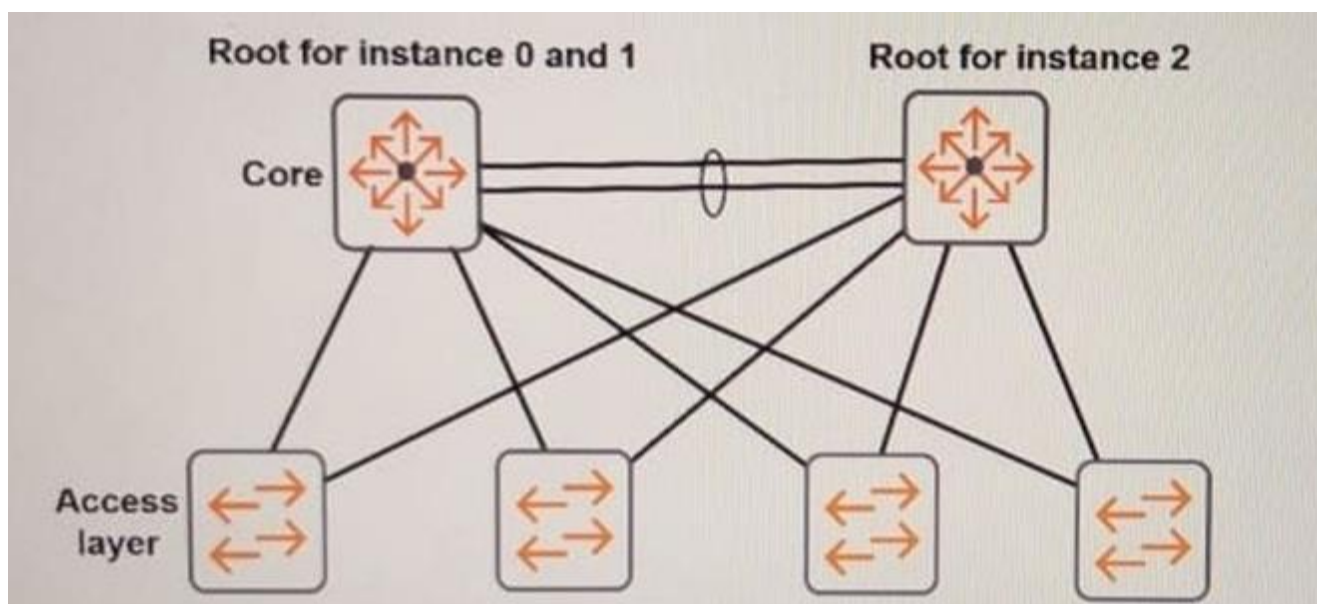
A network administrator installs a new aggregation and access layer in a campus network. All users in this area belong to the same VLAN. The administrator plugs the switches into the network with the factory default configurations.

Which protocol must the administrator configure to prevent broadcast storms?

- A. OSPF
- B. LLDP
- C. MSTP
- D. LACP

Answer: C

NO.9 Refer to the exhibit.



MSTP is enabled on the switches shown in the exhibit.

Which additional step should the network administrator take to support load sharing of traffic on different switch-to-switch links?

- A. Create an identical VLAN-to-instance mapping on each switch, in which some VLANs are in each instance.
- B. Ensure that half of the switches use config revision 1 and half of the switches use config revision 2.
- C. Configure different spanning tree port priorities for different instances on each access layer switch.
- D. Assign different spanning tree port costs to different instances on each access layer switch.

Answer: C

NO.10 An ArubaOS switch operates at factory default settings. A network administrator enters this command:

```
Switch (config)# password operator plaintext mysecret
```

How does the switch now control access to the CLI through the console port?

- A. It forces users to enter no username and password operator to gain access to basic mode. Users must then enter password mysecret to reach enable mode.
- B. It forces users to enter username operator and password mysecret to gain access to basic mode. Users can then reach enable mode without authenticating.
- C. It forces users to enter no username and password mysecret to gain access to basic mode. Users can then reach enable mode without authenticating.
- D. It allows users to access basic mode without logging in, but forces them to enter password mysecret to reach enable mode.

Answer: D

NO.11 A network administrator wants to use Aruba AirWave to manage Aruba 3810 Series switches deployed at the campus access layer. How does AirWave determine which configuration template to apply to these switches?

- A. based on their top level folder
- B. based on their lowest level subfolder

- C. based on their group
- D. based on the global group associated with their group

Answer: D

NO.12 Refer to the exhibit.

Switch# show ip route

IP Route Entries						
Destination	Gateway	VLAN	Type	Sub-Type	Metric	Dist.
0.0.0.0/24	10.1.0.3	101	static		1	1
10.1.0.0/24	VLAN100	100	connected		1	0
10.1.10.0/24	VLAN10	10	connected		1	0
127.0.0.0/8	reject		static		0	0
127.0.0.1/32	lo0		connected		1	0

Prior to implementing OSPF on the network, an ArubaOS switch had the IP routing table shown in the exhibit.

The network administrator then sets up OSPF in the network. The switch calculates these OSPF routes to 10.1.20.0/24:

* Through 10.1.0.1 with cost 3 and administrative distance 110

* Through 10.1.0.2 with cost 3 and administrative distance 110

How does the way the switch handles traffic destined to 10.1.20.0/24 change with the introduction of OSPF?

- A. The switch no longer drops this traffic and instead sends it to 10.1.0.1.
- B. The switch continues to send the traffic to 10.1.0.3, but it now has backup routes for the traffic in case the connection to 10.1.0.3 fails.
- C. The switch no longer drops this traffic and instead load balances it to 10.1.0.1 and 10.1.0.2.
- D. The switch stops sending the traffic to 10.1.0.3 and instead load balances it to 10.1.0.1 and 10.1.0.2.

Answer: D